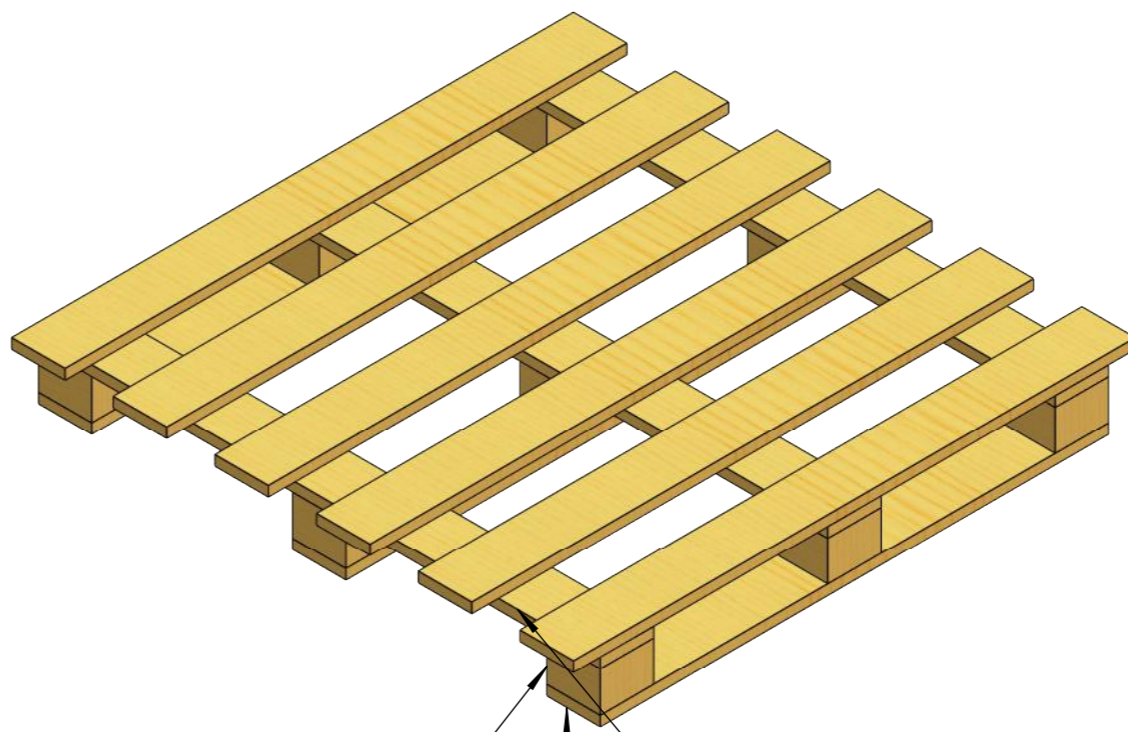
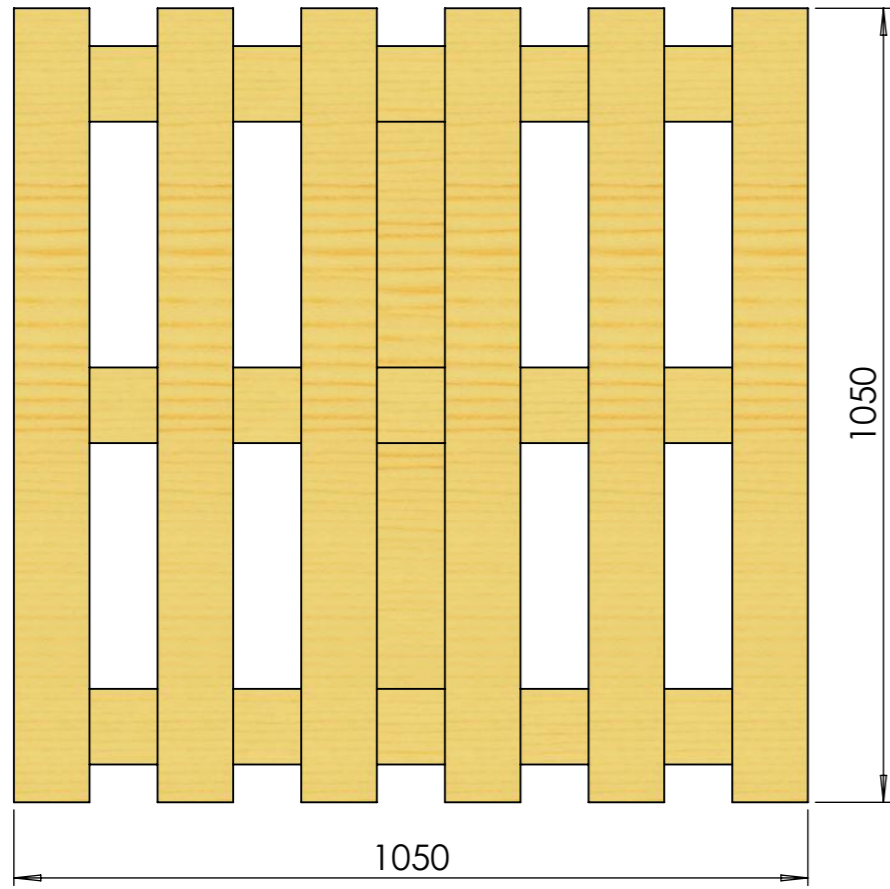
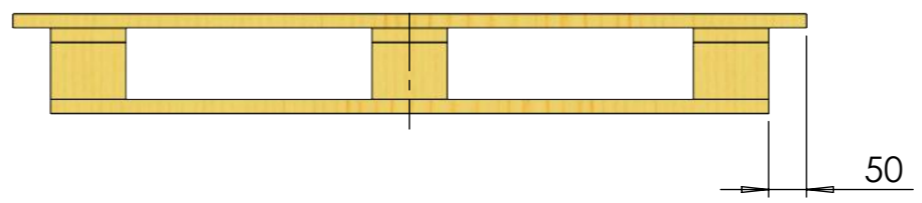
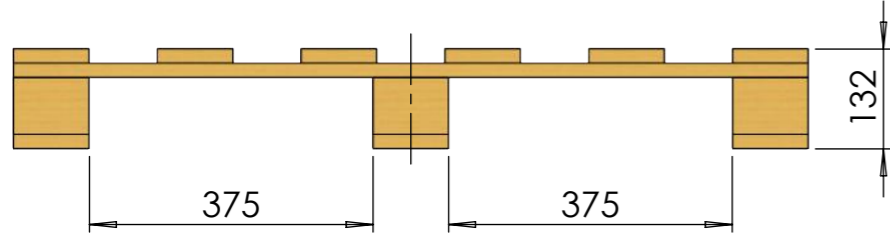


THIS DRAWING AND THE INFORMATION CONTAINED IN IT ARE PROPRIETARY AND THE SOLE PROPERTY OF NORDPALL AS

ANY USE, REPRODUCTION OR DISTRIBUTION, IN WHOLE OR IN PART, WITHOUT THE PRIOR WRITTEN CONSENT OF NORDPALL AS IS PROHIBITED.



1 2 3



IPG
NO-918779809
HT

Item No.	Qty.	Description	Length
3	9	19 x 100	1050
2	3	19 x 100	950
1	9	100 X 100	75

REV.	DATE	DRAWN	CHECKED	APPROVED
0	28.02.17	EST	IVH	FIH

NordPall as

TITLE: PALLET NO. 15
1050 x 1050

DWG NO. 01-pallet-00

ESTAM^{no}

WEIGHT: 9086

SCALE: 1:10

SHEET 15 OF 16

A3

REVISION 0

8 7 6 5 4 3 2 1